

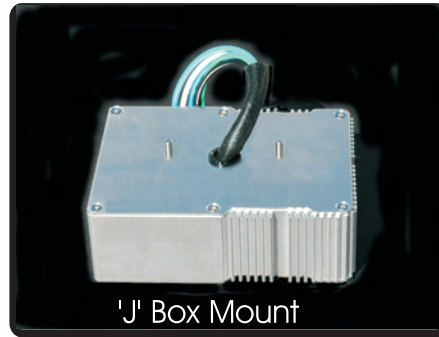
120Vac 100W Electronic Metal Halide Ballast Specifications

PS13B10T



Surface Mount

PS13B10S



'J' Box Mount

INPUT SPECIFICATIONS

- Vac 95-135 Vac
- Amp's @ 120Vac 0.93A @ 100W
- Frequency 50/60Hz
- THD <5% (3% Typ.)
- Power Factor >98%

OUTPUT SPECIFICATIONS

- Lamp Power 100W +/- 2%
- Lamp Drive Frequency 150Hz +/-10%
- Lamp Current Crest Factor <1.2
- Open Circuit Voltage >300V Square Wave
- Ignitor Voltage @ Ballast Leads >3.8KV
- Ignition Failure Timeout 30 Min. Shutdown
- Maximum distance from Ballast 10 Feet Max.
- Compatible 100W ANSI Lamp Types M90, M140

MECHANICAL / ENVIRONMENTAL

- Enclosure Overall Dimensions (Track)
- Enclosure Overall Dimensions (Stud)
- Unit Weight
- Operating Temperature
- EMI / RFI Compliance
- Sound Rating
- UL / CUL Listed

5.42" L x 3.44" W x 1.58" H

4.71" L x 3.44" W x 1.58" H

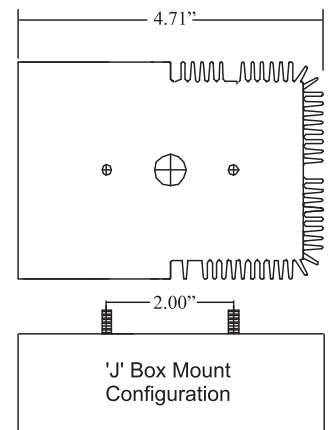
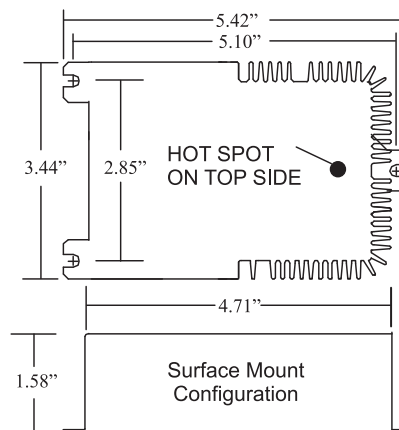
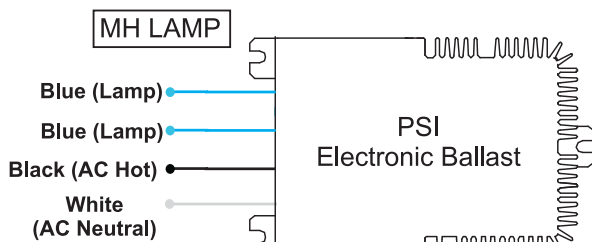
21oz. / 22oz.

Min. Temp -30°C - Max. Temp 90°C

FCC Part 18

Rated 'A'

File #E173598



PowerSelect Inc.

Tel: (714) 901-3900 Fax: (714) 901-0026

E-mail - sales@powerselectinc.com

PSI reserves the right to modify any specifications without notice..

Revised 06-19-06