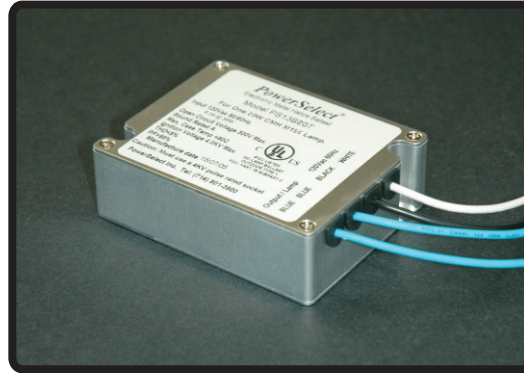


# 120Vac 20W, 39W & 70W Mini Electronic Metal Halide Ballast Specifications



## INPUT SPECIFICATIONS

● Vac	95-135 Vac
● PS13B20T Amps	0.20A
● PS13B20T Power	24W
● PS13B39T Amps	0.36A
● PS13B39T Power	44W
● PS13B70T Amps	0.64A
● PS13B70T Power	76W
● Frequency	50/60Hz
● THD	<10
● Power Factor	>95%

## OUTPUT SPECIFICATIONS

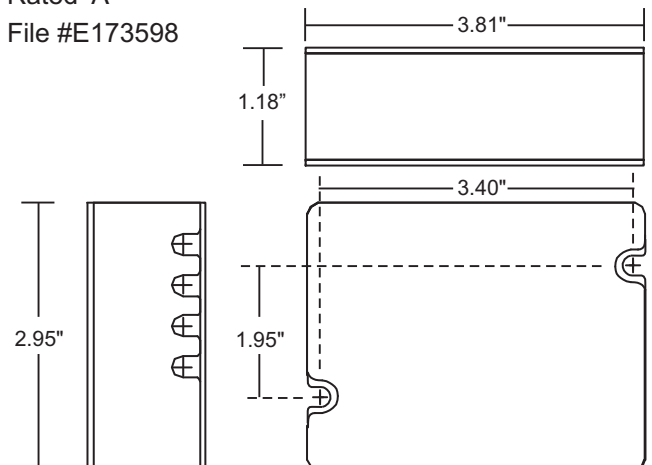
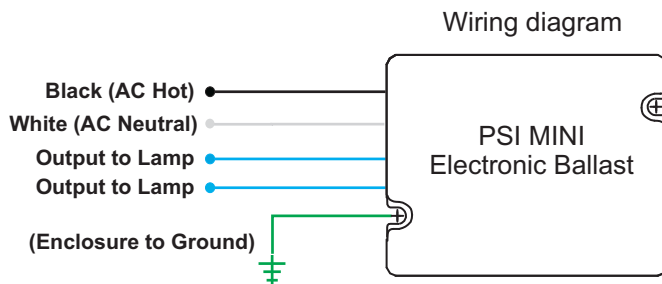
● PS13B20T Lamp Power	20W +/- 2%
● PS13B39T Lamp Power	39W +/- 2%
● PS13B70T Lamp Power	70W +/- 2%
● Lamp Drive Frequency	150Hz +/-10%
● Lamp Current Crest Factor	<1.2
● Open Circuit Voltage	>300V Square Wave
● Ignitor Voltage @ Ballast Leads	>3.8KV
● Ignition Failure Timeout	30 Min. Shutdown
● Maximum distance from Ballast	2.5M or (8.2 feet) Max.
● Compatible 20W ANSI Lamp Types	M156
● Compatible 39W ANSI Lamp Types	M130
● Compatible 70W ANSI Lamp Types	M85, M98, M139, M143

Please see ballast application guidelines for recommended wire routing in multiple lamp fixture applications..

## MECHANICAL / ENVIRONMENTAL

- Enclosure Overall Dimensions 'both Models'
- Unit Weight
- Operating Temperature
- EMI / RFI Compliance
- Sound Rating
- UL / CUL Listed
- Warranty up to 5 years.

3.81" L x 2.95" W x 1.18" H  
 11.5oz.  
 Min. Temp -30°C - Max. Temp 80°C  
 FCC Part 18  
 Rated 'A'  
 File #E173598



**PowerSelect Inc.**

Tel: (714) 901-3900 Fax: (714) 901-0026  
 E-mail - sales@powerselectinc.com

PSI reserves the right to modify any specifications without notice.. Revised 06-19-06