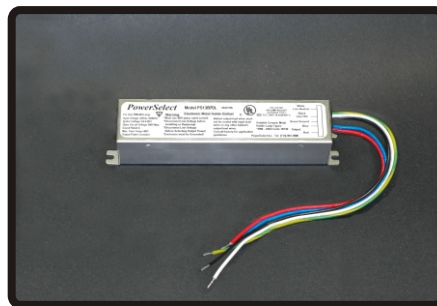


120Vac 39W & 70W Slim Line Electronic Metal Halide Ballast Specifications

Model PS13B39L



Model PS13B70L



INPUT SPECIFICATIONS

- Vac 95-135 Vac
- PS13B39L Amp's 0.36A @ 39W
- PS13B70L Amp's 0.65A @ 70W
- Frequency 50/60Hz
- THD <5% (3% Typ.)
- Power Factor >99%

OUTPUT SPECIFICATIONS

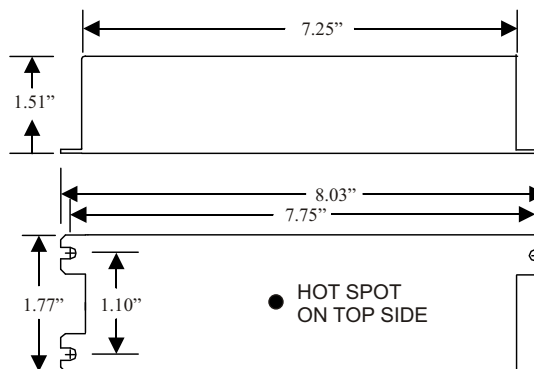
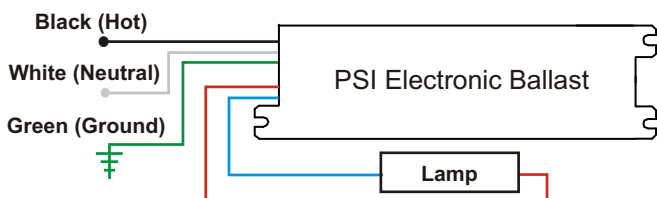
- PS13B39L Lamp Power 39W +/- 2%
- PS13B70L Lamp Power 70W +/- 2%
- Lamp Drive Frequency 150Hz +/-10%
- Lamp Current Crest Factor <1.2
- Open Circuit Voltage >300V Square Wave
- Ignitor Voltage @ Ballast Leads >3.8KV
- Ignition Failure Timeout 30 Min. Shutdown
- Maximum distance from Ballast 2.5M or (8.2 feet) Max.
- Compatible 39W ANSI Lamp Types M130
- Compatible 70W ANSI Lamp Types M85, M98, M139, M143

Please see ballast application guidelines for recommended wire routing in multiple lamp fixture applications..

MECHANICAL / ENVIRONMENTAL

- Enclosure Overall Dimensions 'both Models'
- Unit Weight
- Operating Temperature
- EMI / RFI Compliance
- Sound Rating
- UL / CUL Listed
- Warranty up to 5 years.

8.03" L x 1.77" W x 1.51" H 'Also available without Feet'
 15.5oz.
 Min. Temp -30°C - Max. Temp 90°C
 FCC Part 18
 Rated 'A'
 File #E173598



PowerSelect Inc.

Tel: (714) 901-3900 Fax: (714) 901-0026
 E-mail - sales@powerselectinc.com

PSI reserves the right to modify any specifications without notice.. Revised 07-10 -05