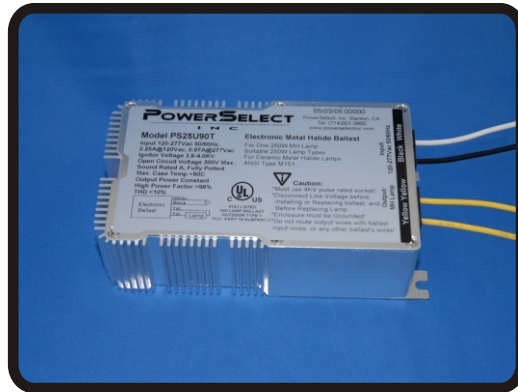


# Universal 250W Electronic Metal Halide Ballast

## Model PS25U90T



### INPUT

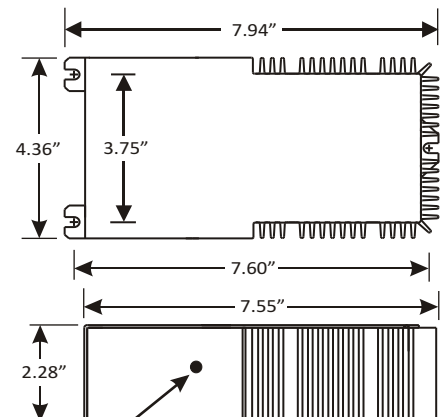
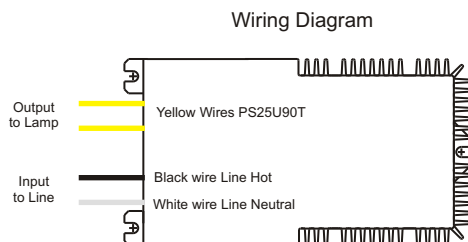
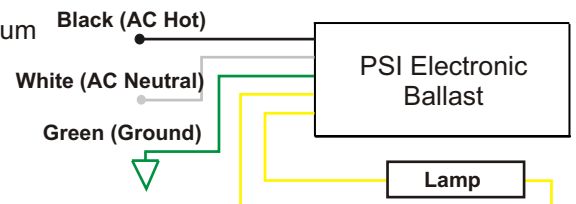
● Vac +/-10%	120	220	240	277
● Amp's	2.22A	1.25A	1.15A	0.96A
● Power	266W	266W	266W	266W
● Freq.	50/60Hz	50/60Hz	50/60Hz	50/60Hz
● THD	<5%	<5%	<5%	<5%
● PF	>99%	>99%	>99%	>99%

### OUTPUT

● Lamp Power	250W (+/-1% Typ) (+/-3%Max.)
● Lamp Drive Frequency	>200Hz
● Lamp Current Crest Factor	<1.2
● Open Circuit Voltage	300V
● Ignitor Voltage @ Ballast Leads	>3.0KV
● Ignition Failure Timeout	30 Min. Shutdown
● Maximum distance from Ballast	10.0M or (32 feet) Max.
● Compatible ANSI Lamp Types	M138/M153, M58, M80, HPS S50

## MECHANICAL / ENVIRONMENTAL

● Enclosure Dimensions	See Below
● Unit Weight	68.8oz.
● Enclosure & Finish	Clear Anodized Extruded Aluminum
● Operating Ambient Temp.	-30° to 60°C
● EMI / RFI Compliance	FCC Part 18
● Sound Rating	Rated 'A'
● UL / CUL Listed	File #E173598 (Pending)
● Input Wire	UL 1015 18 ga. 105°C, Length 12"
● Output Wire	UL SF 18 ga. 200°C, Length 12"



Temperature  
Hot Spot 90°C