

PS30U18H (120Vac - 277Vac) 13w - 18W Fluorescent Specifications (Single Lamp Programmed Rapid Start)



INPUT SPECIFICATIONS

● Vac	120-277 +/-10%		
● Frequency	50/60Hz		
● THD	<15%		
● Power Factor	>95%		
● Transient Immunity ANSI 62.41 CAT.A			
● PS30U18H Amps	120V	0.13	13W
● PS30U18H Amps	120V	0.16	18W
● PS30U18H Amps	277V	0.05	13W
● PS30U18H Amps	277V	.073	18W

OUTPUT SPECIFICATIONS

● Lamp Drive Frequency	52kHz Sinusoidal
● Crest Factor ANSI C82.11	<1.4
● Pre-Heat Start	Yes
● UL Class 'P' Listed	Yes
● Ignition Failure Shutdown	Yes
● End of Lamp Life Protection	Yes

CF Lamp Wattage

● PS30U18H	13W -18W
------------	----------

MECHANICAL / ENVIRONMENTAL

- Suffix 'H' Enclosure Dimensions
- Unit Weight
- Operating Temperature
- EMI / RFI Compliance
- Sound Rating
- UL / CUL Listed Class P
- Warranty up to 5 years.
- All Wires are UL 1015 18ga. Solid, 9 inches in length.
- Chassis material is 0.040" Gray Anodized Aluminum.

3.34" L x 2.93" W x 1.35" H

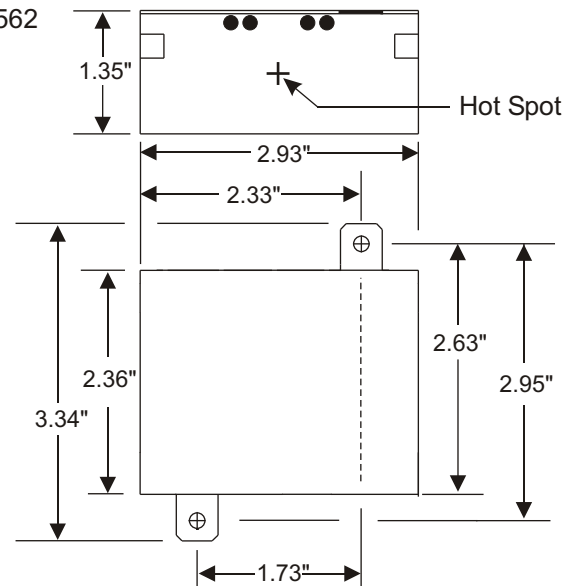
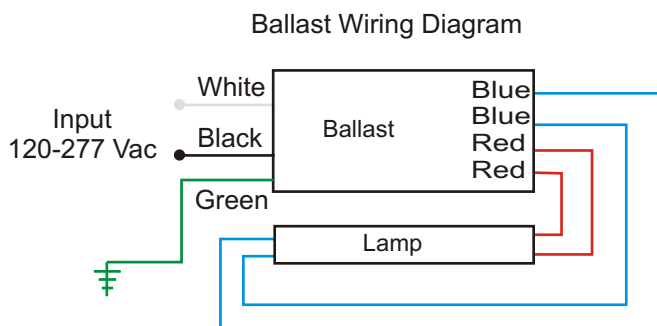
6 oz.

Min. Temp -30°C - Max. Temp 90°C

FCC Part 18

Rated 'A'

File #E201562



PowerSelect Inc.

PSI reserves the right to modify any specifications without notice..