

PS30U62H (120Vac - 277Vac) 26W - 42W Fluorescent Specifications (Single Lamp Programmed Rapid Start)



INPUT SPECIFICATIONS

- Vac 120-277 +/-10%
 - Frequency 50/60Hz
 - THD <15%
 - Power Factor >95%
 - Transient Immunity ANSI 62.41 CAT.A
- | | | | |
|-----------------|------|------|-----|
| ● PS30U62H Amps | 120V | 0.22 | 26W |
| ● PS30U62H Amps | 120V | 0.28 | 32W |
| ● PS30U62H Amps | 120V | 0.38 | 42W |
| ● PS30U62H Amps | 277V | 0.10 | 26W |
| ● PS30U62H Amps | 277V | 0.13 | 32W |
| ● PS30U62H Amps | 277V | 0.17 | 42W |

OUTPUT SPECIFICATIONS

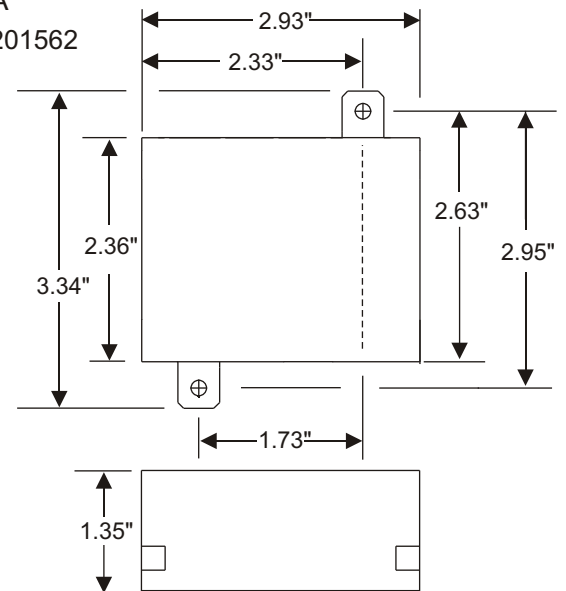
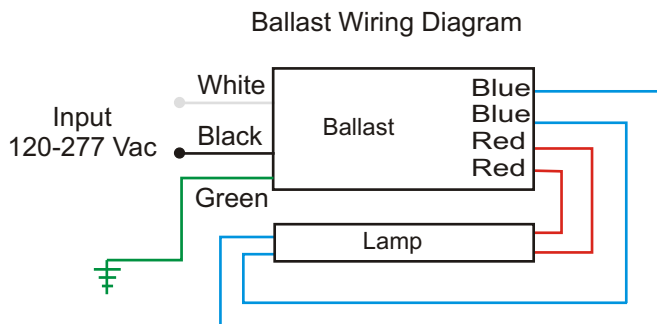
- Lamp Drive Frequency 52kHz Sinusoidal
- Crest Factor ANSI C82.11 <1.4
- Pre-Heat Start Yes
- UL Class 'P' Listed Yes
- Ignition Failure Shutdown Yes
- End of Lamp Life Protection Yes

CF Lamp Wattage

- PS30U62H 26W -32W -42W

MECHANICAL / ENVIRONMENTAL

- Suffix 'H' Enclosure Dimensions 3.34" L x 2.93" W x 1.35" H
- Unit Weight 6 oz.
- Operating Temperature Min. Temp -30°C - Max. Temp 90°C
- EMI / RFI Compliance FCC Part 18
- Sound Rating Rated 'A'
- UL / CUL Listed Class P File #E201562
- Warranty up to 5 years.
- All Wires are UL 1015 18ga. Solid, 9 inches in length.
- Chassis material is 0.040" Gray Anodized Aluminum.



PowerSelect Inc.

PSI reserves the right to modify any specifications without notice..